

FLUKE®

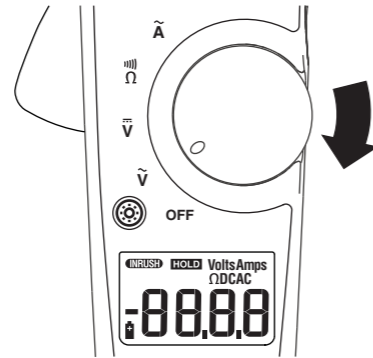
333, 334, and 335 Clamp Meter Instruction Card

⚠ Warning

Read the 333, 334, 335, 336, 337 Clamp Meter Safety Sheet before using this meter.

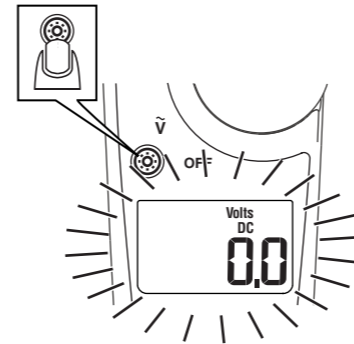
- Před použitím této zkoušečky si přečtete bezpečnostní informace k čelistovému měřicímu přístroji 333, 334, 335, 336, 337.
- Przed użyciem próbnika należy przeczytać instrukcje dotyczące bezpieczeństwa miernika cęgowego zamieszczone w dokumentach nr 333, 334, 335, 336 i 337.
- Перед использованием данного измерительного прибора прочтите Инструкции по технике безопасности токоизмерительных зажимов 333, 334, 335, 336, 337.
- Bu test cihazını kullanmadan önce 333, 334, 335, 336, 337 Pens Metre Güvenlik Broşürü'nü okuyun.

On/Off



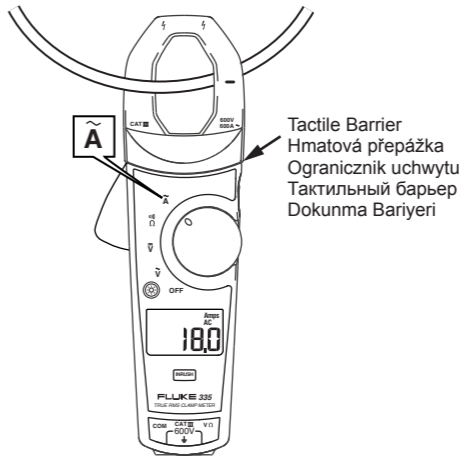
Backlight ☼

334, 335



~

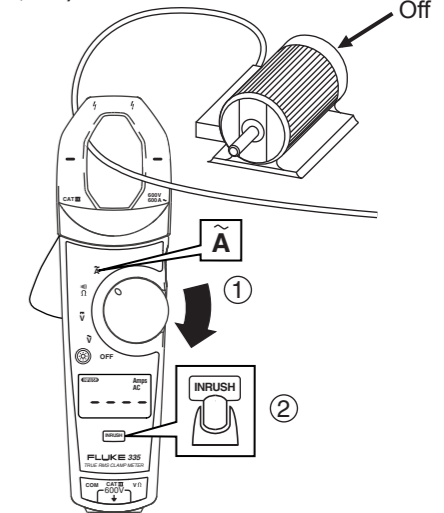
Fluke 333 0 - 400 A
Fluke 334, 335 0 - 600 A



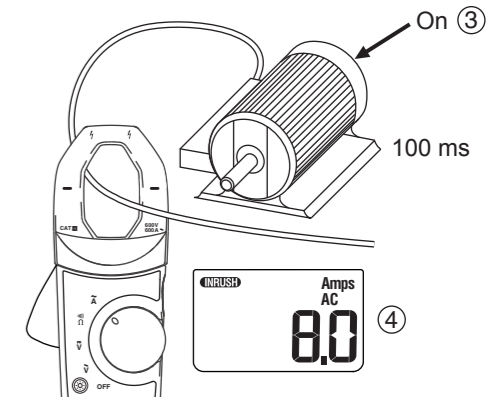
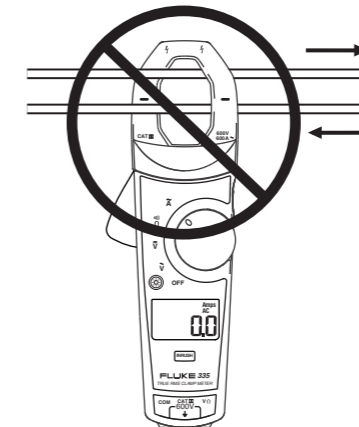
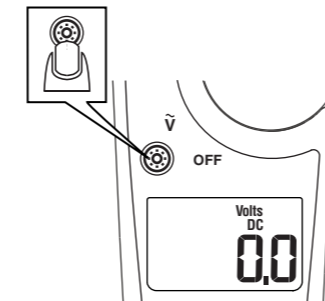
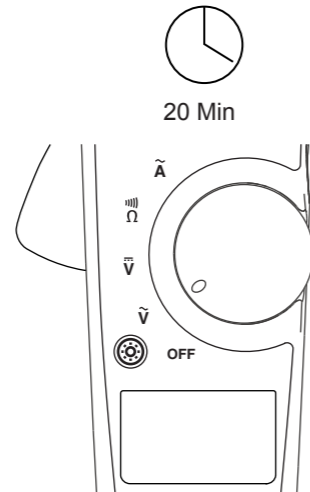
Inrush Current

Nárazový proud
Początkowy prąd rozruchowy
Бросок пускового тока
Baskın Akımı

(334, 335)

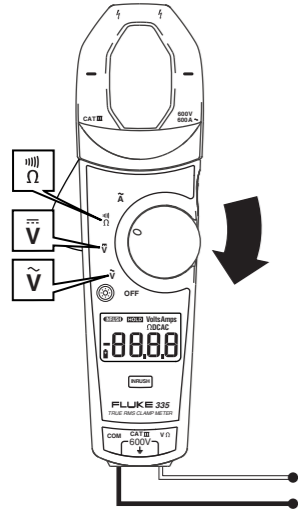


Automatic Off

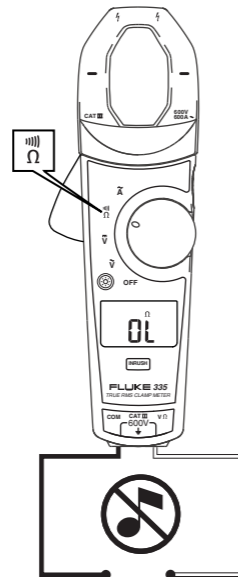
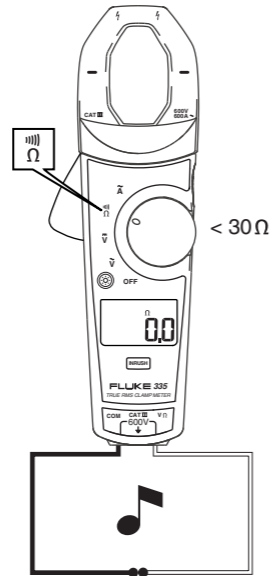


V, Ω

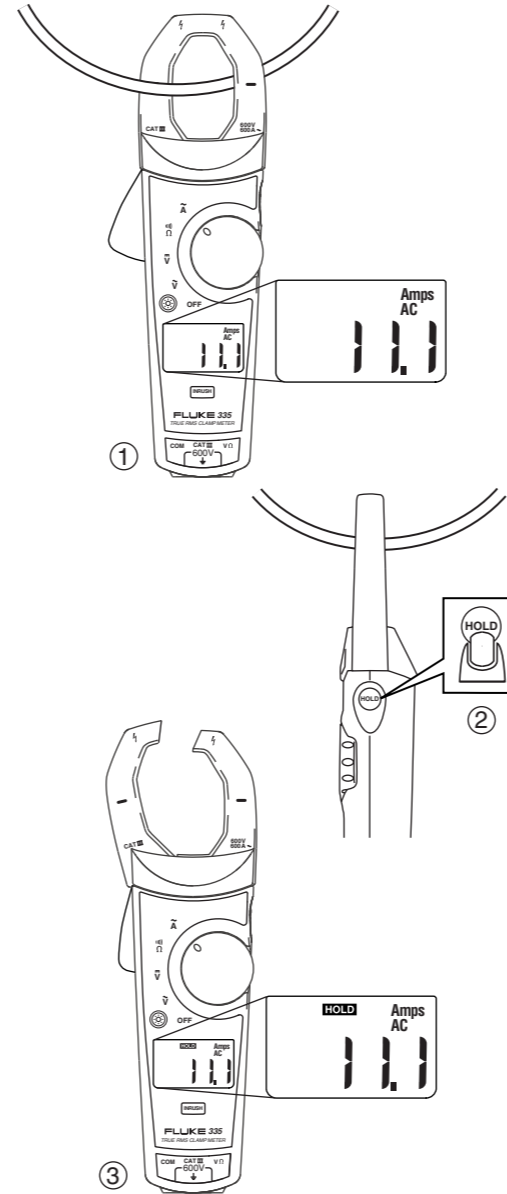
0 - 600.0 V ac
 0 - 600.0 V dc
333 0 - 600.0 Ω
334, 335 0 - 6000 Ω



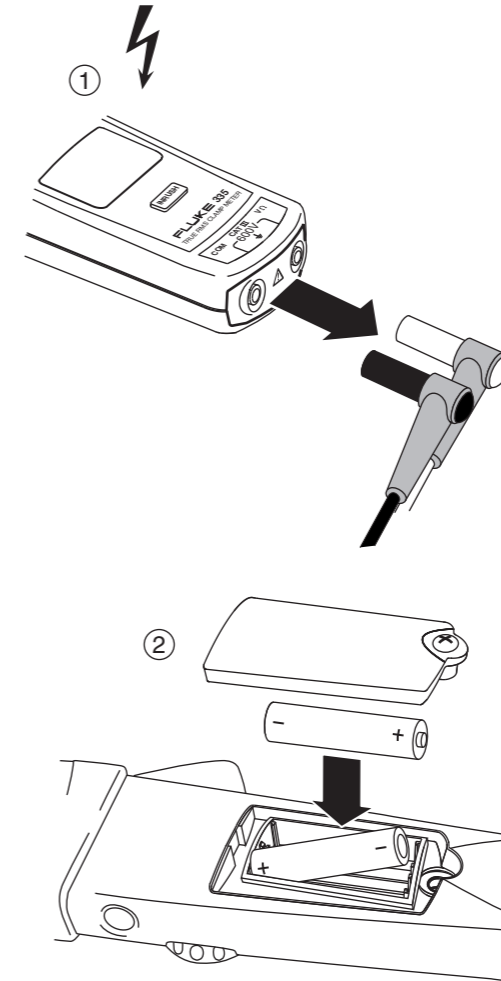
Continuity




Hold



Battery Replacement



Specifications

* @ 23 °C ± 5 °C, 0 - 90% RH		333	334	335
\tilde{A} (50/60 Hz)	Range	0 - 400.0 A	0 - 600.0 A	
	Accuracy	2 % ± 5 counts		
	Crest Factor add 2% for CF > 2	—		2.4 @ 500 A 2.0 @ 600 A
	AC Response	Avg		rms
Inrush	Integration Time	—	100 ms	
\tilde{V} , \bar{V}	Range	0 - 600.0 V		
	Accuracy	1 % ± 5 counts		
Ω	Range	0 - 600.0 Ω	0 - 600.0 Ω 600 - 6000 Ω	
	Accuracy	1.5 % ± 5 counts		
Continuity		≤ 30 Ω		
Storage Temperature		-40 °C to 60 °C		
Operating Temperature		-10 °C to 50 °C		
Altitude		2500 m		
EMC - instrument unspecified for use in EMC field ≥ 0.5 V/m				
CAT III 600V, pollution degree II: CAT III equipment is designed to protect against transients in equipment in fixed - equipment installations, such as distribution panels, feeders and short branch circuits, and lighting systems in large buildings.				
* < 18 °C, > 28 °C add 0.1 x (specified accuracy)/ °C				